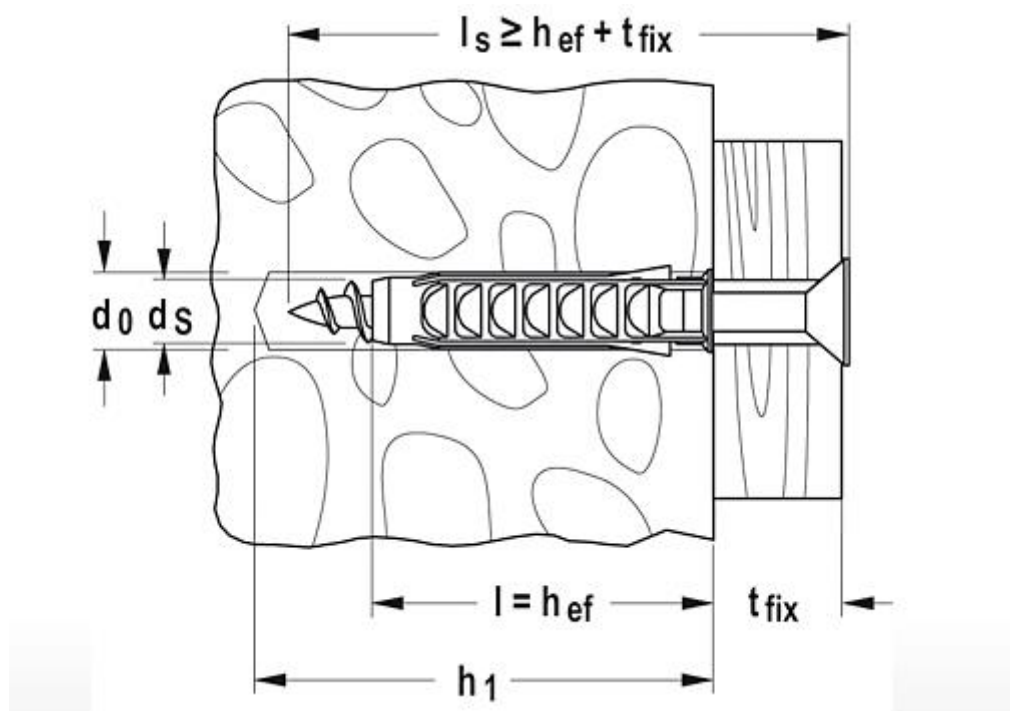


# Дюбел с опорен пръстен, к-кт с винт/PZ SX ф 8 x 40 мм, SK NV, блистер



Drill hole diameter	$d_0$	8	[mm]
Min. drill hole depth	$h_1$	50	[mm]
Anchor length	$l$	40	[mm]
Screw	$d_s \times l_s$	5 x 60	[mm]
Effect. anchorage depth	$h_{ef}$	40	[mm]
Drive		PZ2	
Card contents		10 x SX 8 x 40, 10 x chipboard screw 5 x 60	
Sales unit		10	[pcs]
GTIN (EAN Code)		4006209908945	